

Sheer Solaret®



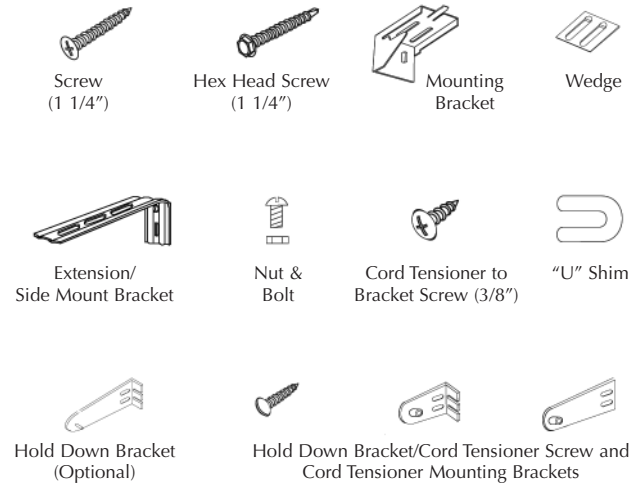
Installation Instructions

The Basics

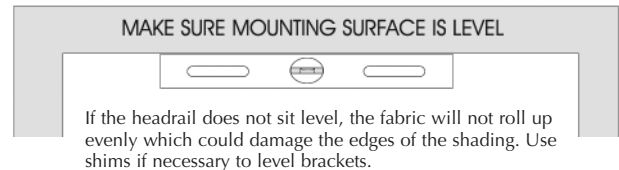
A few simple tools are required:

- Measuring Tape
- Carpenter's Level
- Power Drill or Phillips Head Screwdriver
- 1/4" Hex Head and/or Phillips Driver Bit

Additional fasteners other than those sent with your shading may be required depending on the mounting surface. Wallboard and plaster require the use of anchors such as expansion or toggle bolts. Brick, tile, or stone need special plugs and drill bits. Remember to always predrill holes in wood to avoid splitting.



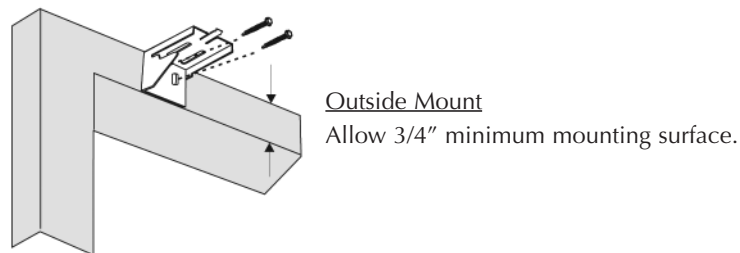
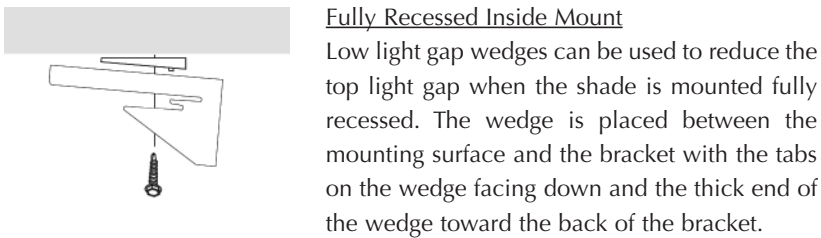
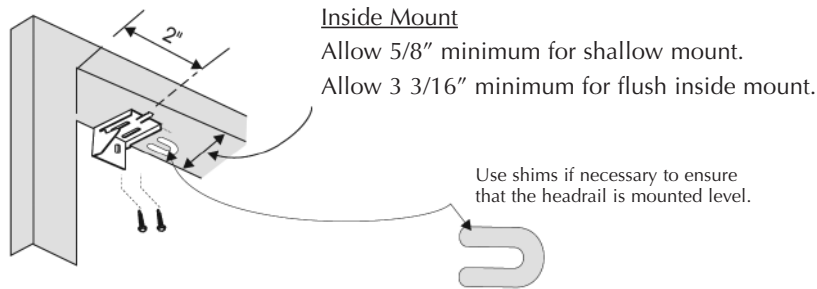
Step One: Bracket Installation



End brackets should be located with centerlines 2" in from each end. Depending on the width of the shading, additional brackets may be necessary evenly spaced between the two end brackets.

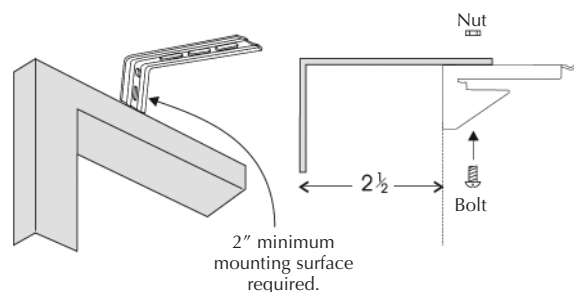
For shade widths of:	Use this # of brackets:
Up to 40"	2 brackets
40" – 72"	3 brackets
72" – 84"	4 brackets
84" – 114"	5 brackets





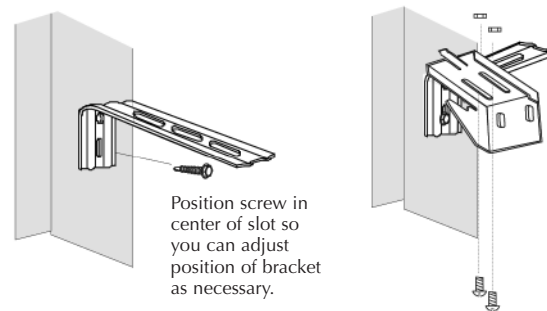
Extension Brackets (Optional)

Optional extension brackets are used to project the back of the shading up to 2 1/2" from the mounting surface. Attach the standard mounting bracket to the extension bracket with the nut and bolt provided.



Side Mount (Optional)

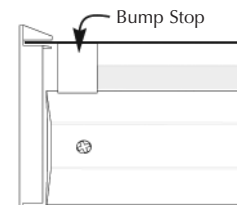
Measure from window sill up to desired mounting position on each side of the window frame. Mark position. Mount the side mount brackets on each side of the window frame as shown. Make sure to confirm that the headrail will sit perfectly level. Once the side mount brackets are installed and properly positioned, attach the standard mounting brackets using the nuts and bolts provided.



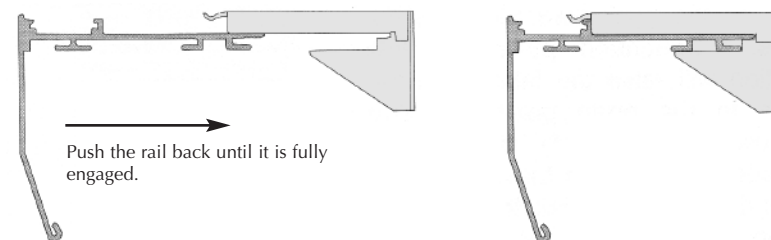
Step Two: Hanging the Shade

Bump Stops (Used Only with Nylon Cord Loop)

Before installing the shading, it is important to check the position of the bump stops inside the headrail. There are two stops which prevent the bottom rail from travelling too far into the headrail. These bump stops need to be at the ends of the headrail, butting up to the endcap. This will prevent the bottom rail from stacking unevenly in the headrail.



Installing the Headrail



Removing the Headrail

To remove the shading, partially lower the shading and insert a flathead screwdriver as shown. Twist the screwdriver until the headrail disengages from the bracket.



Step Three: Child Safety

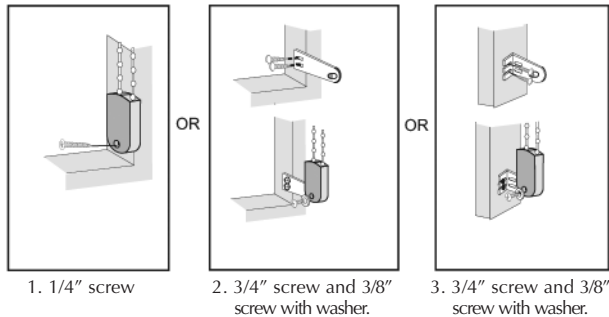
The Consumer Product Safety Commission requires the use of a cord tie down (cord tensioner) on all continuous cord loop systems. The use of such a device is intended to significantly reduce the occurrence of infant or small child strangulation injuries resulting from the looped pull cords on various window treatment products.

The cord tensioner is installed on the lift cord before packaging. The tensioning device should be mounted in the proper position to pull the cord taut in order to reduce the possibility of injury.

Cord Tensioner Installation

Lower the shading. Choose one of the three installation methods shown to position the tension device on the window frame or the wall so that the tension device and the control cord do not interfere with shade operation.

The control cord must be taut but still operable. Do not allow for any slack. Do not twist or cross the control cord.

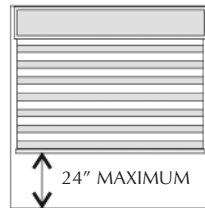


Step Four: Shading Operation

Pulling down on the back cord will lower the shading. When the window is completely lowered, pulling down on the back cord will open the vanes. Continued pulling in this direction will raise the fabric with the vanes in the open position.

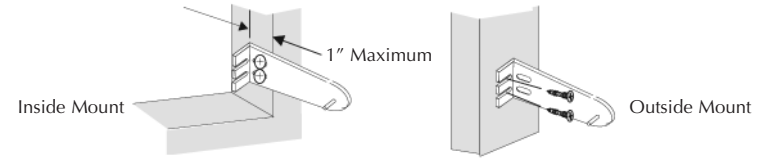
The window shading must only be raised a maximum of 24" in this manner to avoid damaging the fabric. There is a stop pre-set on the bead chain to allow 24" of reverse roll-up. There is no stop on the nylon cord option. DO NOT reverse roll more than 24".

Pulling down on the front cord will close the vanes and then raise the shading.



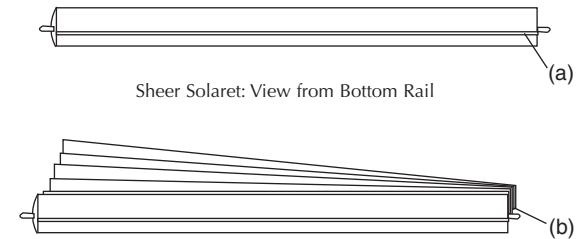
Step Five: Hold Down Installation (Optional)

Use the pin on the hold down bracket to punch out the front hole on the bottom rail endcap. Mount the hold down to the side or back of the window frame so that the pin lines up with the front hole in the bottom rail endcap with the shade fully lowered and fully open. Lower the shading and flex the hold down bracket outward so that the pin can be inserted into the hole in the endcap.



Step Six: Adjusting the Fabric Weights

To make an adjustment, locate the elastic band (a) that runs along the underside of the bottom rail. Adjust the fabric weights by pulling the elastic band from the side where the fabric is gathering (b). Move the weight 1" and check the adjustment by lowering the shade completely and raising it slowly. If necessary, readjust the weight, being careful not to over-adjust. When the fabric rolls evenly and does not skew, you have successfully adjusted your shading.



Step Seven: Cleaning and Care

Sheer shadings may be feather dusted or vacuumed at a low setting. Spots or stains can be rubbed clean with a damp sponge and mild soap. To avoid discoloration of the material, we recommend against the use of chemical cleaners. If necessary, the shading may be ultrasonically cleaned by a professional. All knitted fabrics experience weave variations due to heat, humidity, and other room conditions. These variations can result in slight bowing, puckering, or dimpling of the sheer material. The possible variations are minor and have been shown through case study not to detract from the beauty of this product.