

Everest™



Installation Instructions Cordless and Continuous Cord Loop

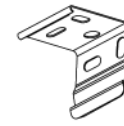


The Basics

A few simple tools are required:

- Measuring Tape
- Carpenter's Level
- Power Drill or Phillips Head Screwdriver
- 1/4" Hex Head and/or Phillips Driver Bit

Additional fasteners other than those sent with your shading may be required depending on the mounting surface. Wallboard and plaster require the use of anchors such as expansion or toggle bolts. Brick, tile, or stone need special plugs and drill bits. Remember to always predrill holes in wood to avoid splitting.



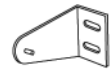
Standard
Mounting Bracket



Optional Extension
Bracket



Optional
Spacer Block



Optional Hold
Down Bracket

Step One: Bracket Installation

MAKE SURE MOUNTING SURFACE IS LEVEL



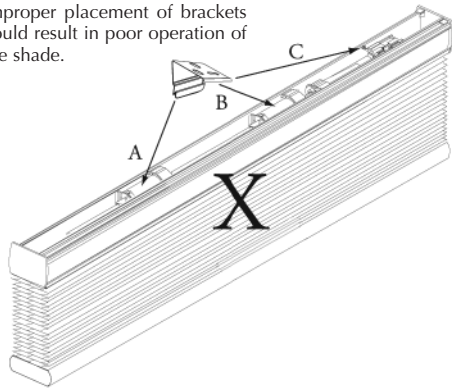
Brackets must be in line and level. Shim brackets on inside mounts if necessary. The headrail must be level for the shade to operate properly.

Shades are shipped with the required number of brackets for proper installation. End brackets should be located to the outside of the cord spools. Depending on the width of the shade, additional brackets may be necessary, evenly spaced between the two end brackets.

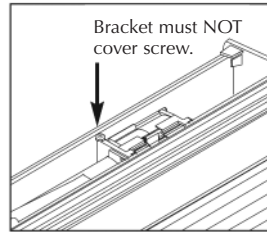
For shade widths of:	Use this # of brackets:
Up to 40"	2 brackets
40" – 72"	3 brackets
72" – 84"	4 brackets
84" and Up	5 brackets

Do not place installation brackets over clear plastic spool covers (a & b) or over the transmission screw (c). IMPROPER PLACEMENT OF THE BRACKETS COULD RESULT IN POOR OPERATION OF THE SHADE.

Improper placement of brackets could result in poor operation of the shade.



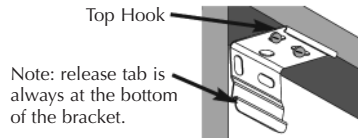
The center of the right end bracket must be placed 1" to 2" from the end, so that it does not interfere with the transmission screw (below).



Using the Installation Bracket as a template, measure to the edge of the bracket and mark the hole locations with a pencil for drilling. When mounting brackets, make sure they are in line and level.

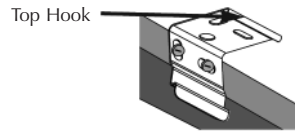
Inside Mount

Use the top bracket holes.



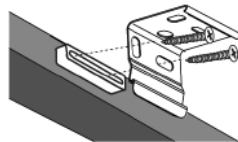
Wall or Outside Mounts

Use the rear bracket holes.

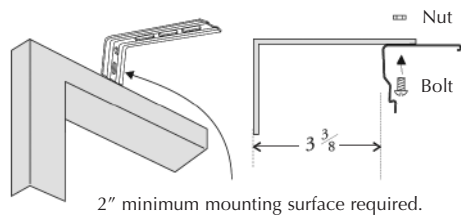


Outside Mount with Spacer Block

Optional spacer block will project bracket 3/8".



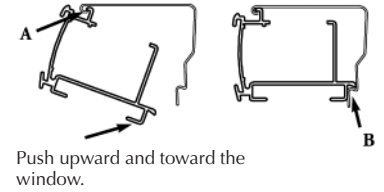
Outside Mount with Extension Bracket



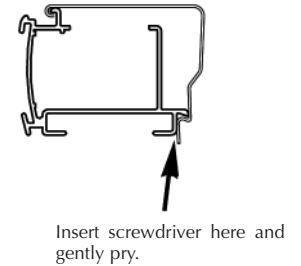
Step Two: Inserting the Headrail

First, lower the bottom rail about an inch. This will help keep the fabric from getting caught between the brackets and the headrail.

Position the headrail with the front lip (A) resting on the top hooks of all the brackets. Make sure that no fabric is pinched between the brackets and the headrail. Push the bottom of the headrail firmly upwards and toward the window until the groove at the bottom of the headrail snaps into place (B) as shown.

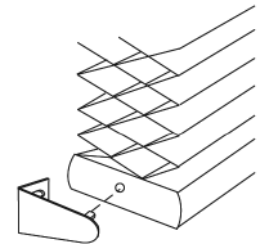


To remove a shade, insert a screwdriver between the headrail and the bottom back of the bracket (tab which extends out slightly from each bracket). Gently pry the screwdriver to release the bracket from the headrail. Take care not to damage the painted finish of the headrail. As you release the brackets, support the headrail to keep it from falling.



Step Three: Hold Down Installation (Optional)

Optional Hold Down Brackets are mounted with the supplied screws. With the shade at its proper drop, place the pin of each Hold Down into the hole in each endcap and mark the screw holes. Make sure the pins are level and aligned. Raise the shade, then screw the Hold Down Bracket into the mounting surface.

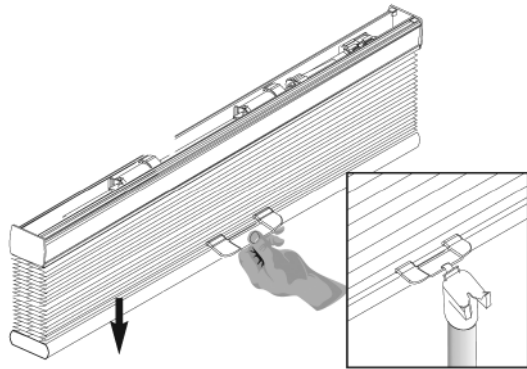
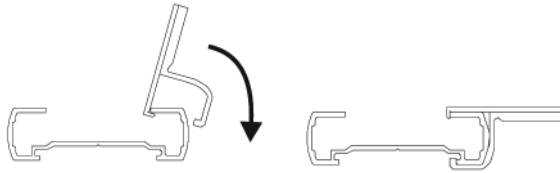


Step Four: Shade Operation

Cordless shades should be operated from the center of the bottom rail. To lower the shade, pull down on bottom rail. To raise the shade, push the bottom rail up. The shade will hold at any position when the bottom rail is released. Be sure to raise the shade slowly and steadily to allow the shade enough time to stack evenly.

(Continued on Reverse.)

For out-of-reach cordless operation, an optional handle and extension pole should be used. To install the optional handle, locate the center of the bottom rail. Gently lift fabric out of the way. Hook the top of the handle over the front lip on the bottom rail. Rotate handle down until it snaps into place.



To lower shade.

To operate continuous cord loop shades, simply pull on the cord loop to raise or lower the shade to the desired position. There is no need to tug on the cord loop in either direction to lock the shade in place; the continuous cord loop clutch system automatically holds the shade in any position once you stop pulling on the cord.

Step Five: Cleaning and Care

The Honeycomb fabric is easy to care for. Regular dusting with a feather duster or vacuum cleaner brush is recommended. Most stains can be blotted with a damp sponge and mild detergent.

IMPORTANT: Do not immerse headrail in water. When damp, raise shade tightly to re-crisp pleats. Before using anything stronger than mild detergent and lukewarm water, test an unobtrusive corner of the shade. If you have any questions, call your dealer for advice.

Step Six: Troubleshooting

Problem: Shade fabric is skewing, raising or lowering unevenly.

Causes: 1) Obstructions may interfere with proper shade operation; check to make sure the shade's path is clear of objects. 2) The shade fabric may have shifted slightly during shipping or installation.

Repair: Gently raise and lower the shade several times. The fabric will eventually right itself and the skewing will stop.

Problem: Cordless shade will not stay down.

Cause: Because the shade was fabricated primarily in the closed position, the fabric may want to spring up.

Repair: Gently pull down on a section of cells to relax the pleats (see diagram below). Repeat with another section of cells until the fabric is sufficiently relaxed. Do not tightly stack the shade for 24 hrs.

Gently stretch fabric.
Pull evenly on each side.

