

# Horizontal Blinds



## Installation Instructions

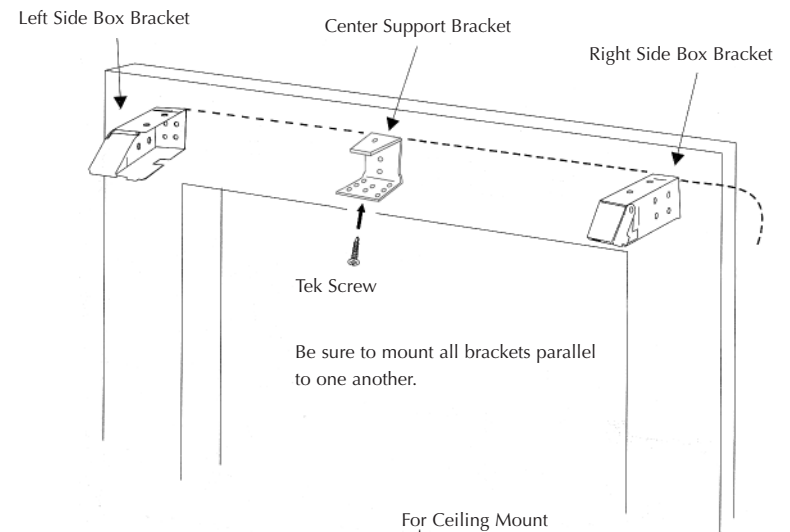
### The Basics

Please take a moment to review the contents of your package. Your package should contain the following:

1. Left and Right Box-Style Mounting Brackets
2. Four Mounting Bracket Screws
3. Valance Clips (quantity of valance clips included will vary according to width of blind; see valance installation instructions for details)
4. Center Support Bracket and Support Screws (included only if blinds are over 48" in length)

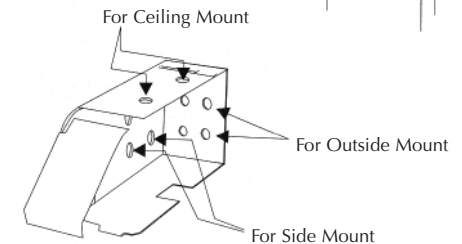
### Mounting Brackets

The box-style mounting brackets are designed to work in all possible mounting applications. (The diagram at the bottom of this page indicates which screw holes should be used for each option.) Mount brackets as shown below. Always use all brackets supplied. All blinds 48" or wider require the use of center support brackets – be sure to mount the support bracket(s) in position(s) that will not interfere with the lift mechanisms. The tek screw should screw into the headrail after the wood blind is mounted.



### Screw Holes

Always use at least two screws per bracket for a strong, secure mount.



## Brackets Required

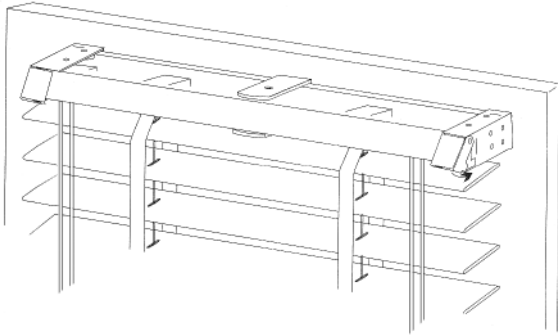
All blinds require two mounting brackets (included). All 2-on-1 blinds receive one support bracket. All 3-on-1 blinds receive two support brackets. Center support brackets for 2-on-1 and 3-on-1 blinds should be placed between panels.

Blind Width:	Number of Center Support Brackets:
over 48"	one support bracket
over 96"	two support brackets

When using extension brackets (see reverse side), certain widths require the use of one or more support brackets.

Blind Width (with extension brackets):	Support Brackets:
over 30"	one support bracket
over 60"	two support brackets
over 90"	three support brackets

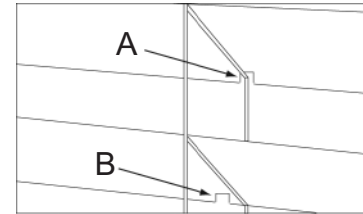
Position the headrail in the box-style mounting brackets as shown. Swing the covers down and snap them closed. Secure headrail to center support bracket with a tek screw.



## Routless/Privacy Blind Installation Note

Due to the unique stringing method of routless blinds, the slats may become disengaged during shipping, installation, and aggressive use. To ensure proper operation of the routless/privacy blind it is important to check the engagement of the slats on the ladder braid. The notch in the slat should align with the ladder braid (see diagram on following page).

In the diagram, Slat A is engaged, while Slat B has disengaged. To fix a disengaged slat, simply move the slat by hand until the notch is properly seated on the ladderbraid.

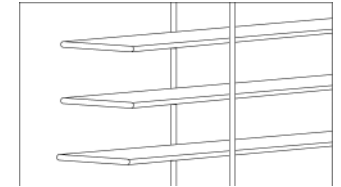


A. Properly engaged slat:  
notch is over ladderbraid

B. Disengaged slat:  
notch is not over ladderbraid

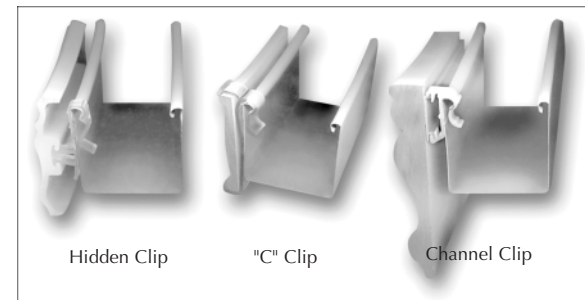
## Routless/Privacy Blind Operation Instructions

For optimal performance, routless/privacy blinds should only be raised or lowered when the slats are in the horizontal position.



## Valance Installation

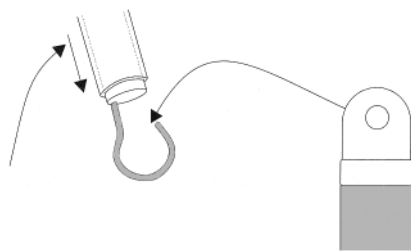
The type of valance clips included in your package depends on the type of blind and valance selected. Valances for PoliBlinds require a "hidden" valance clip. Basic valances for 2" blinds require a "C-Clip". 1" blinds and upgrade valances for 2" blinds require a "channel" valance clip. The number of valance clips included in your package varies according to width of blind: all blinds up to 42" require 2 clips, all blinds 42" to 60" require 3 clips, all blinds 60" to 84" require 4 clips, all blinds 84" or wider require 5 or more clips.



To attach provided valance clips to front of headrail, twist "hidden" clip or push down "C-Clip" to snap in place. Make sure to install one clip on each end and space others evenly, no more than 48" apart. After valance clips are attached to the headrail, insert and secure valance to headrail. To install upgrade valances, align clips with the channel on the back of valance, then press on face of valance to lock in place.

**Tilt Wand Attachment  
(When Applicable)**

1. Attach wand to tip over the end of the tilter hook.
2. Slide the clear cover down to hold wand in place.



**Care and Operation Instructions**

**Alignment:** After installing blind, tilt slats open, then raise and lower blind several times. This motion will allow the cords and slats to properly align themselves.

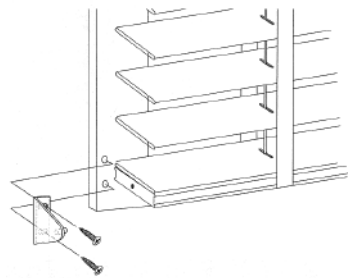
**Cleaning:** Dust blind regularly using a soft clean cloth, dusting mitt, vacuum cleaner with brush attachment, or cylindrical dust brushes especially designed for blinds. Surface dust is easily removed when blinds are cleaned regularly. For maximum results, lower blind to full length, then tilt slats until almost fully closed to dust. Repeat for reverse side of slats.

**Removal:** Remove valance, then raise blind to headrail and lock. Open both bracket door latches to remove blind.

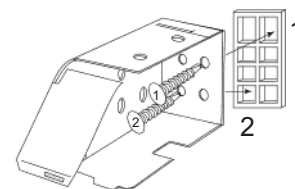
**Optional Components**

Optional components may be ordered free of charge at the time of original blind purchase. Components ordered after the date of original purchase are subject to a \$15.00 shipping and handling fee, plus the price of the component. Call Aveno at 1-800-783-1560 to order optional components.

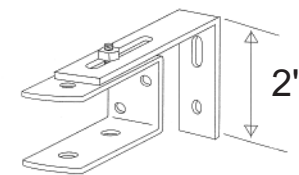
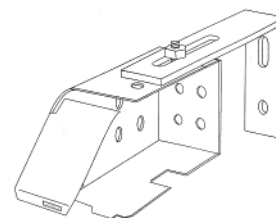
**Hold-Down Brackets:** Use hold-down brackets to prevent blinds from swaying when mounted on doors or exposed to the wind. Screw hold-down bracket into the lower corner of window jam or sill. Drill a small hole in the center of the bottom rail to slip hold-down pin (extending from hold-down bracket) into blind. (Components continued on next page).



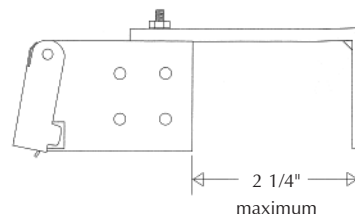
**Spacer Blocks or Extension Brackets:** Use spacer blocks or extension brackets to project the standard mounting brackets out over obstructions (such as window moldings or ledges).



Align holes in back of bracket to holes in spacer block and secure to wall with screws. Two spacer blocks per bracket may be used for additional projection.



Extension brackets require a 2" flat surface for mounting.



Nuts and bolts are provided for attachment.

